

www.lumendigital.com

Lumen Digital Corporation

**"Technical Experts
dedicated to your Success"**

Houston Experts Center

2305 HWY 6 S Suite J
Houston, TX 77077

info@lumendigital.com
Phone (281) 556-5445

www.lumendigital.com

LUMEN DIGITAL

**Navigation
Module**

*"Navigation at Low Price, Low Power
and Small Footprint"*

Navigation Module

Navigation/Gyrometer/Vibration/Shock Module at Low Price, Low Power, Small Footprint.

The Compact Navigation Module:

- * Provides the user with the position, orientation and the dynamics of the device in space at fast and slow rates.

- * Combines a GPS/Magnetometer/Gravity/Altitude with dynamics sensors (gyrometer and accelerometer) to enhance the accuracy of the device.

- * Acquires Shock and Vibration.

- * Records data in Flash Memory.

Main Advantages

- * High Integration (Navigation/Gyrometer/Vibration/Shock)
- * Low Price
- * Low Power
- * Compact Size

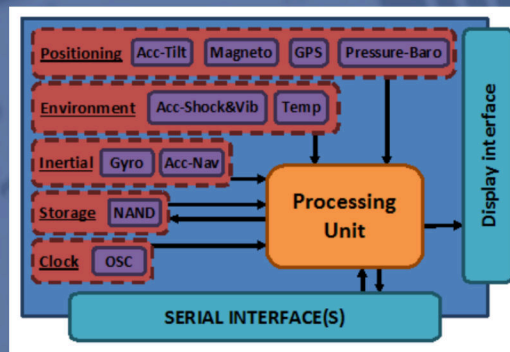
Features

- * GPS Acquisition
- * Navigation Processing and Storage
- * Movements Processing and Storage
- * Shock and Vibration Processing and Storage
- * Real-time Clock
- * Communication Management

Interface

- * Power Input (+5V)
- * USB Interface
- * RS485 Interface
- * SPI Port
- * PWM Port Output
- * 3 Analog Inputs
- * Debugging Port

Block Diagram



Packaging

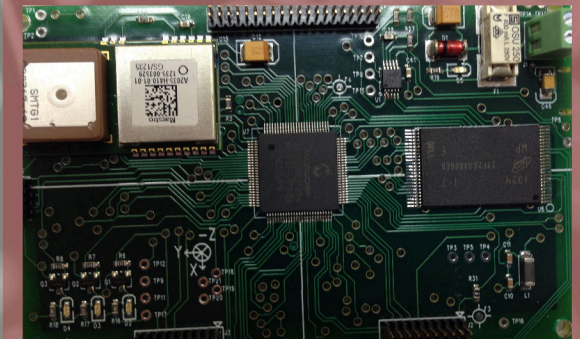
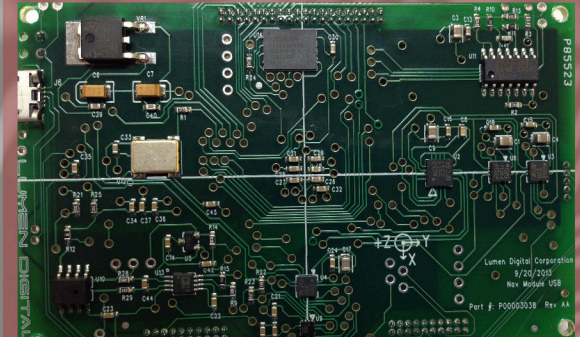
Dimensions: 85 x 55 x 12.5 (Credit Card Size)
DC Input Connector, ON/OFF Switch

Environment

- * Operating Temperature: -40°C to +85°C
- * Storage Temperature: -40°C to +85°C
- * Humidity Level: 90% @ 45°C
- * Shock: drop test
- * Vibration: Random/5g rms 20-500Hz
- * CE: RoHS

Options

- * MIL-STD-1553
- * MIL-STD-1773
- * IEEE 1394



Application

- * Robotics
- * Drones
- * Education
- * Tracking Device
- * Industrial