

HD H.264 VIDEO ENCODER

The HDVE H.264 Encoder is a compact and economic HD video solution to address high performance network-enabled video applications such as video security, broadcast encoding, medical video, and industrial.

The HDVE H.264 Encoder is capable of digitizing video streams (VGA, DVI) without interfering with the input video source. The HDVE H.264 Encoder can be hardware-configured to accommodate different types of video signals. HD VGA module, DVI-A module, and DVI-D module are currently available. The HDVE H.264 Encoder parameters can be configured through a secured web interface.

PRODUCT FEATURES

The HDVE H.264 Encoder is an HD H.264 High Profile solution that supports the following features:

- ✓ Passive video pass-thru
- ✓ HD VGA or DVI-D, DVI-A video input modules
- ✓ Input Resolutions from 640x480 30fps to 1920x1080 60fps
- ✓ H264 encoding with choices of H.264 Profiles
- ✓ Output Streaming Frame rate configurable from 1FPS to 30PFS
- ✓ Output Streaming Bit Rate adjustable from Kbps to Mbps
- ✓ Dual-channel encoding
- ✓ Unicast or multicast
- ✓ 1Gbit Ethernet
- ✓ Network Plug & Play
- ✓ Low power (typical 10W)
- ✓ Redundant power input



PC



Video Encoder



HD Display



SPECIFICATIONS

Video Input

- True passive pass-thru
- Resolutions: 1024 x 768 (XGA), 1152 x 864 (XGA+), 1280 x 720 (HD 720P), 1280 x 1024 (SXGA), 1408x768, 1600x1024, 1680 x 1050, 1920x1080 (HD 1080P)
- Decimation (1-240)
- Frame Per Second (1-60)
- Video Horizontal/Vertical Alignment Adjustment

Video Output Stream (H264) for each stream

- Resolutions: 320x240 (QVGA), 640x480 (VGA), 720x480 (D1/480P), 800x600 (SVGA), 1024 x 768 (XGA), 1152 x 864 (XGA+), 1280 x 720 (HD 720P), 1280 x 1024 (SXGA), 1408x768, 1600x1024, 1600x1200 (UXGA), 1680x1050, 1920x1080 (HD 1080P), 1920x1200 (WUXGA)
- Encoder Bit Rate (kbit/sec): 1 to 102400
- Profiles: Base, Main, Extended, High, High 10, High 4:2:2, High 4:4:4
- Level: from 1 to 5.1
- I Frame Period: 1:1 to 1:90
- Frame Per Second (1-30)

Networking

- Static or Dynamic IP address (DHCP)
- Gateway and Mask configuration
- Network Protocols HTTP, RTSP, RTP, UDP, TCP, IP, Multicast UDP, ICMP
- Network Plug & Play (UPNP)
- Web Configuration Application
- Local Upgrade

Interface

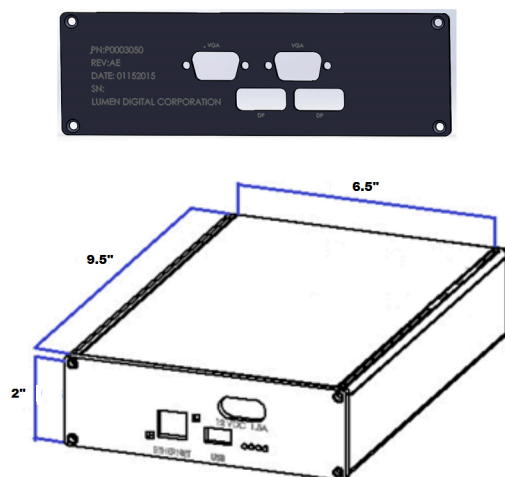
- Video: 2x VGA HD15 connectors or 2xDVI connectors
- Ethernet: RJ45, 10/100/1000 Mbps
- USB 2.0
- Power Input: 2x 2.5mm jacks, 12VDC 1.5A Max

Indicators & Buttons

- LED indicators for power input, fault, warning, operation and video stream
- Reset switch for power and for processor

Packaging

- Aluminum extrusion profile, black color
- Dimensions: 2"x6.5"x9.5" (5.08 cm X 16.51 cm X 24.13 cm)
- Weight: 3 lbs (1.36 Kg)



Environment

- Operating Temperature: -10 degC - 45 degC
- Storage Temperature: - 30 degC - 85degC
- Humidity: 95% at 45degC
- Vibration: Non Operating Random Test 0.07 g²/Hz at 5-20Hz; Sin Test 2g at 5-12Hz
- Shocks: Non Operating test at 10g, 11msec sawtooth.

Options

- Rack Mount Kit (4 HD video encoders can be installed in one 19" rack, ½ U height).

Ordering Information

Part Number:
HDVE-1.2-VGA for Video encoder with HD VGA module
HDVE-1.2-DVI-D for Video Encoder with HD DVI-D module
HDVE-1.2-DVI-A for Video Encoder with HD DVI-A module

Contact information:
Lumen Digital Corporation
2305 HWY 6S SUITE J
HOUSTON, TX 77077
281-556-5445

www.lumendigital.com/videoencoders
boudah@lumendigital.com
03.16.2015

LUMEN DIGITAL

“Technical Experts dedicated to your Success”

About Lumen Digital

Established in 2005, Lumen Digital Corporation is a provider of services related to embedded systems development and electronic product design.

Combining creativity and technical expertise, Lumen offers state-of-the-art embedded solutions for different industries such as Oil and Gas, LED Light, Medical Device, Aerospace, Military, and Chemical.

Lumen design capabilities include Electronics-Firmware-Software-Communication-Enclosure.

Contact Information:

Lumen Digital Corporation

2305 HWY 6S Suite J

Houston, TX 77077

281-556-5445

www.lumendigital.com/videoencoders

Follow us on:

